



Cable Railing Installation Instructions

Overview

In this installation, you're going to:

- Run cable through posts
- Crimp a fitting onto one end
- Measure and cut the cable
- Then crimp a fitting onto the other end of the cable and tension it

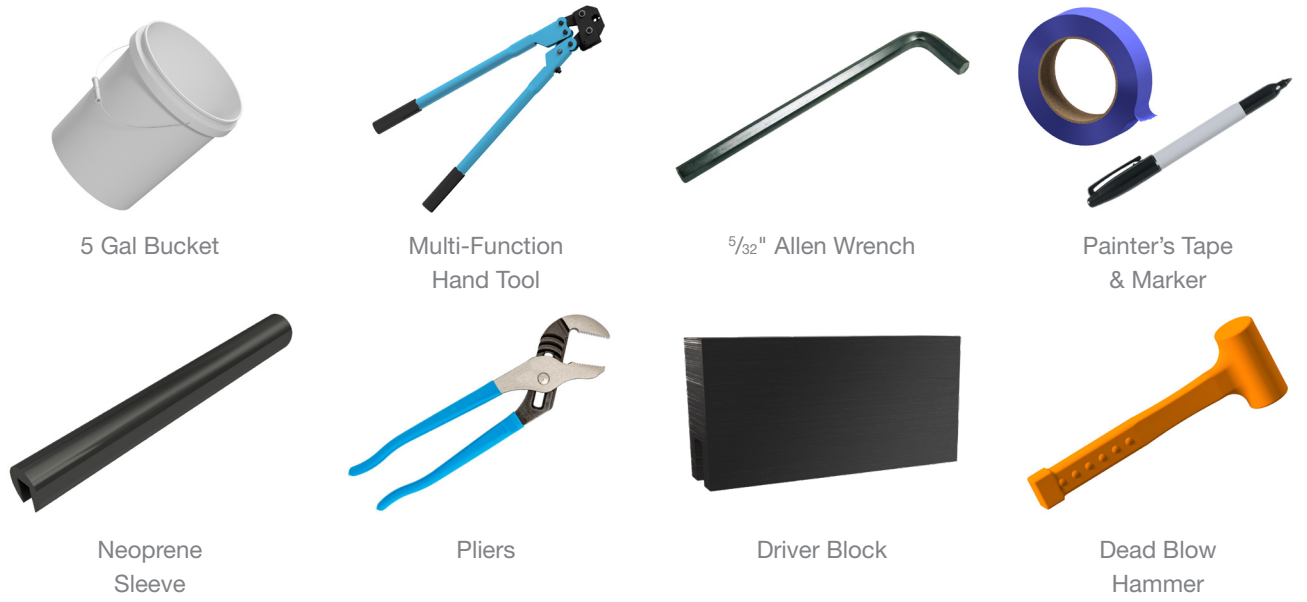
Table of Contents

Read over the provided material prior to the start of your installation

Cable Railing Hardware	2
Post to Post - Order of Installation	3
Level Tension Kit to Level Tension Kit	5
Inside Post Mount Kit to Level Tension Kit	9
Angle Tension Kit to Angle Tension Kit	13
Inside Post Mount Kit to Angle Tension Kit	17
Cable Post Hardware Identification & Quantities Chart	21

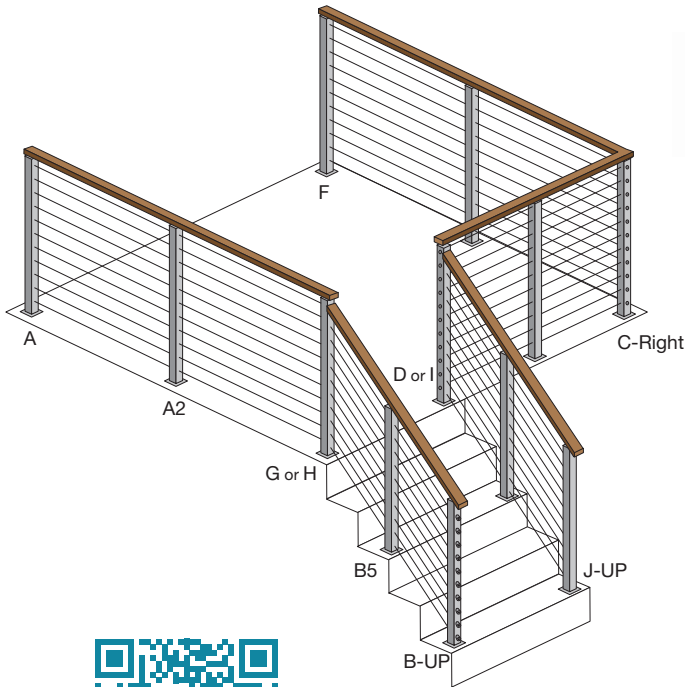
****Before installing any cable infill, please ensure all posts and handrail are fully installed***

Tools Needed for this Installation



Cable Railing Hardware

Here's a quick rundown of the posts and components you'll be using, though you probably won't use all of them.



To view our interactive post page go to <https://www.viewrail.com/resource-center/interactive-post-page> or scan this code with your smartphone.



- Tension Receiver**
Paired with the Threaded Crimp Fitting, this part is tightened with an Allen wrench to create cable tension.
- Threaded Crimp Fitting**
Double-crimped to cable, this part is threaded into a Tension Receiver to create cable tension.
- Inside Post Mount Fitting**
The cable is inserted through the oval washer & crimped in the cable stop. It locks into the inside of the post through a 5/16" hole.
- Adhesive Sleeve**
Slid onto cable, this part adheres to the post face to cover level Inside Post Mount holes.
- Steel Insert Sleeve**
Threaded onto cable, this part is inserted into level half-inch post holes to create a finished look.
- Angle Washer**
This part is used to modify the Tension Receiver for use on an angle. Available in job-specific angles.
- Steep Adhesive Sleeve**
Slid onto cable, this part adheres to the post face to cover angled holes.

Post/Component Reference

Each type of Viewrail Post is listed below in blue along with the cable components that go with it.

- A Post**
Level Tension Kit
- A-2 Post**
Steel Insert Sleeve
- A-5 Post**
No Fittings
- B-5 Post**
Adhesive Sleeve

- B-Up/B-Down Post**
Angle Tension Kit
- C Post**
Level Tension Kit
Inside Post Mount Kit
- D Post**
Angle Tension Kit
Level Tension Kit
- F Post**
Inside Post Mount Kit

- G Post**
Adhesive Sleeve
(All Cables Pass Through Post)
- H Post**
Inside Post Mount Kit
Adhesive Sleeve
(Bottom 10 cables pass through Post)
- I Post**
Angle Tension Kit
Level Tension Kit

- J-Up/J-Down Post**
Inside Post Mount Kit
- R Post**
Inside Post Mount Kit
- S Post**
No Fittings

To view a quantified list of which components go with each post, view pages 21 and 22

Post to Post - Order of Installation

Through hundreds of on site installations, we have come up with the best order to install posts into your system depending on what posts are being used. Please review the table below and compare it against your order contents to find the best way for you to have an easy installation.

Configuration	Configuration Description	Order of Installation
A to C ¹	Level Tension To Level Tension	Start with C
A to C ¹	Level Tension to Inside Post Mount	Start with C
A to F	Level Tension to Inside Post Mount	Start with F
A to A	Level Tension To Level Tension	-
A to H	Level Tension to pass through cables and Inside Post Mount	Start with H
A to G	Level Tension to pass through cables	Start with G
A to I	Level Tension to Level Tension	Start with I
A to D	Level Tension to Level Tension	Start with D
A to R	Level Tension to Inside Post Mount	Start with R
Configuration	Configuration Description	Order of Installation
F to D	Inside Post Mount to Level Tension Kit	Start with F
F to I	Inside Post Mount to Level Tension Kit	Start with F
F to C ²	Inside Post Mount to Level Tension Kit	Start with F
Configuration	Configuration Description	Order of Installation
C to D ¹	Level Tension to Level Tension	Start with C
C ¹ to D	Inside Post Mount to Level Tension	Start with C
C ¹ to I	Level Tension to Level Tension	Start with C
C ¹ to I	Inside Post Mount to Level Tension	Start with C
C to H ²	Level Tension to pass through cables and Inside Post Mount	Start with H
C ¹ to G	Level Tension to pass through cables	Start with G
C to R ²	Level Tension to Inside Post Mount	Start with R

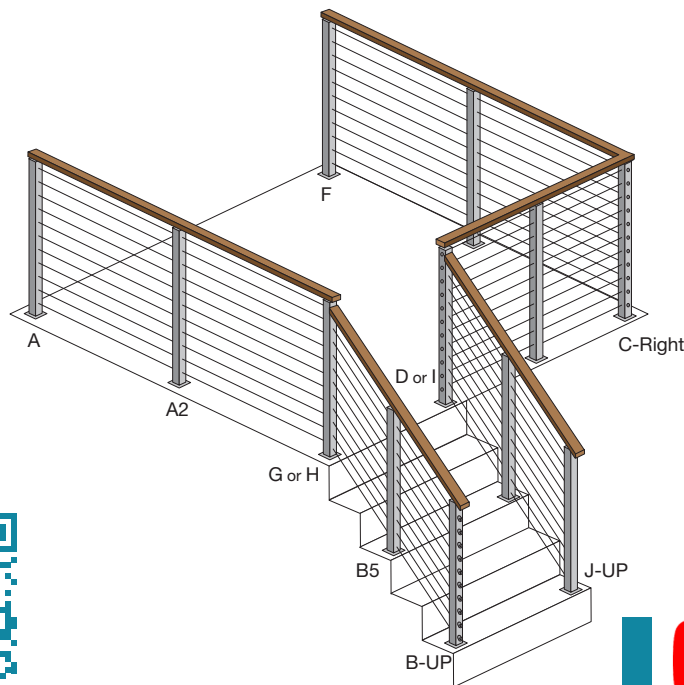
¹ Depending on C post orientation

² Can't have inside post mount to inside post mount

Continued on next page

Post to Post - Order of Installation (Continued)

Configuration	Configuration Description	Order of Installation
R to D	Inside Post Mount to Level Tension	Start with R
R to I	Inside Post Mount to Level Tension	Start with R
Configuration	Configuration Description	Order of Installation
B Up to B Down	Angle Tension to Angle Tension	Start with B Up
B Up to D	Angle Tension to Angle Tension	Start with B Up
B Up to I	Angle Tension to Angle Tension	Start with B Up
B Up to J Down	Angle Tension to Inside Post Mount	Start with J Down
B Up through G to A	Angle Tension, through G, to Level Tension	Start with B Up
B Up through G to C	Angle Tension, through G, to Level Tension	Start with B Up
B Up through H to A	Angle Tension, through H, to Level Tension	Start with B Up
B Up through H to C	Angle Tension, through H, to Level Tension	Start with B Up
Configuration	Configuration Description	Order of Installation
J Up to B Down	Inside Post Mount to Angle Tension	Start with J Up
J Up to I	Inside Post Mount to Angle Tension	Start with J Up
J Up to D	Inside Post Mount to Angle Tension	Start with J Up
J Up through G to A	Inside Post Mount, through G, to Level Tension	Start with J Up
J Up through G to C	Inside Post Mount, through G, to Level Tension	Start with J Up
J Up through H to A	Inside Post Mount, through H, to Level Tension	Start with J Up
J Up through H to C	Inside Post Mount, through H, to Level Tension	Start with J Up

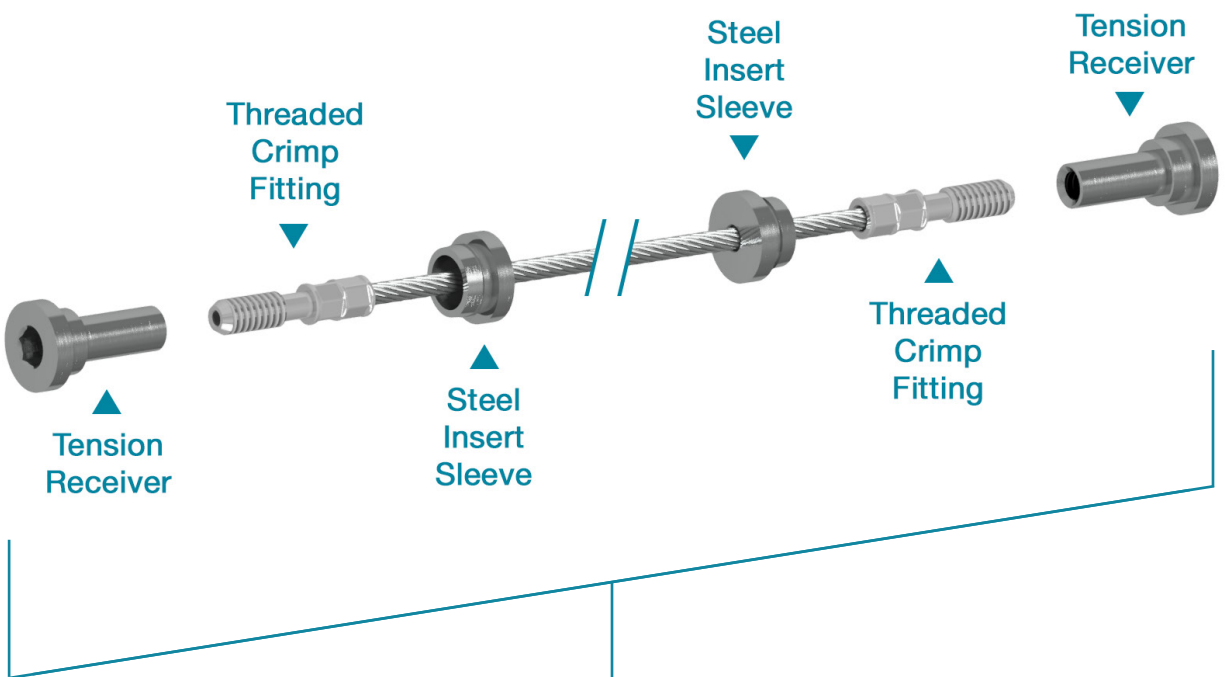


To view our interactive post page go to <https://www.viewrail.com/resource-center/interactive-post-page> or scan this code with your smartphone.

Visit our YouTube channel to watch helpful installation videos
youtube.com/viewrail

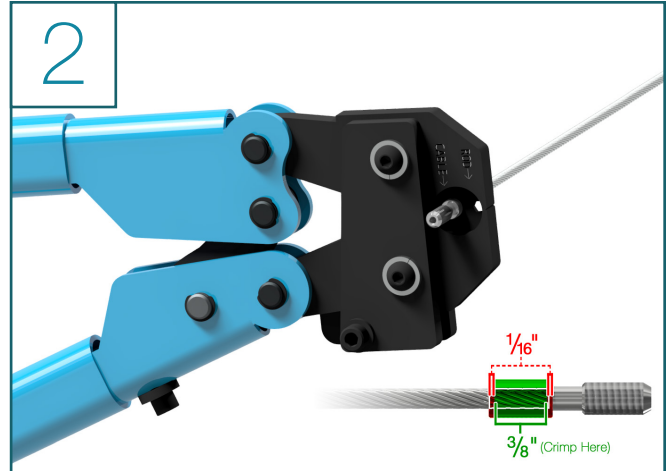
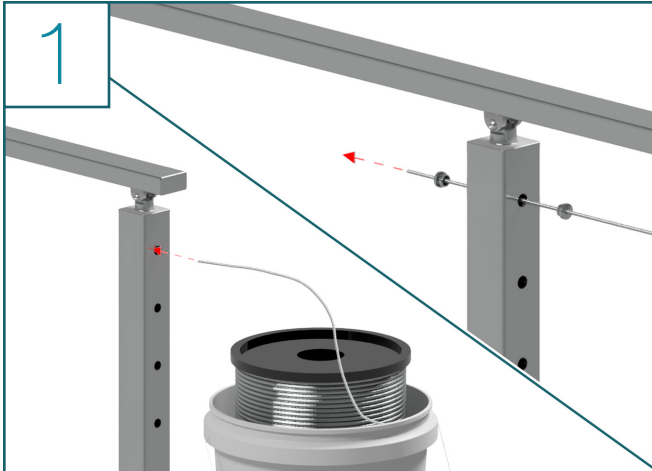
Cable Railing Installation Guide

Level Tension Kit to Level Tension Kit



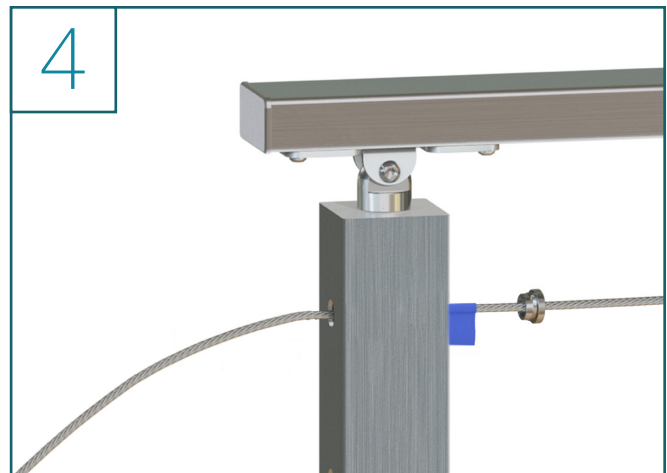
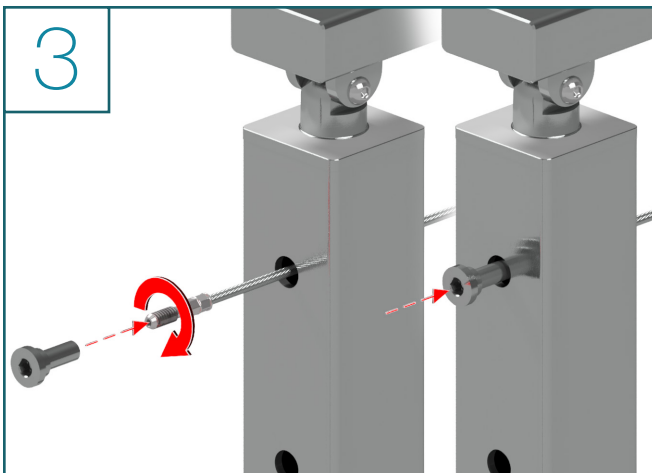
Level Tension Receiver
<https://www.youtube.com/watch?v=4JukKiLef2M>

Cable Railing Installation Steps - Level Tension Kit to Level Tension Kit



- Take the loose end of your cable spool and slide the cable through the posts on the run you are working on
- Since both ends of the cable will use the same type of post holes, it does not matter which end you start from
- As you are running the cable through the posts, place the metal sleeves on the cable facing the each post hole
- Steel Insert Sleeves will get tapped into the 1/2" holes on level runs
- "A-5" intermediate posts will not receive sleeves

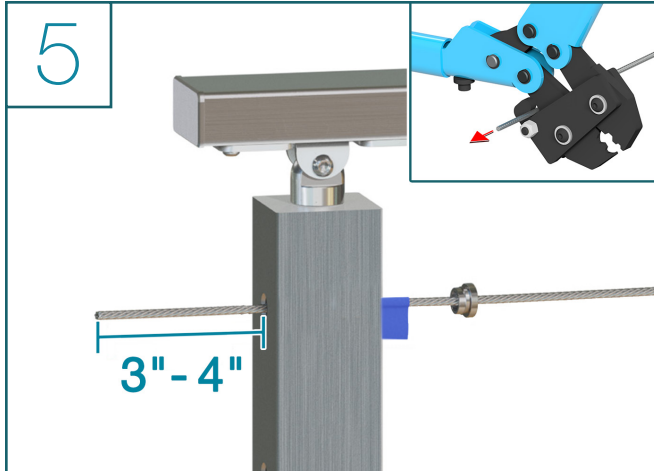
- Once the cable passes through the final post on the run, crimp a Threaded Crimp Fitting onto the end of the cable
- Crimp the Threaded Crimp Fitting then turn it 90° and crimp it again



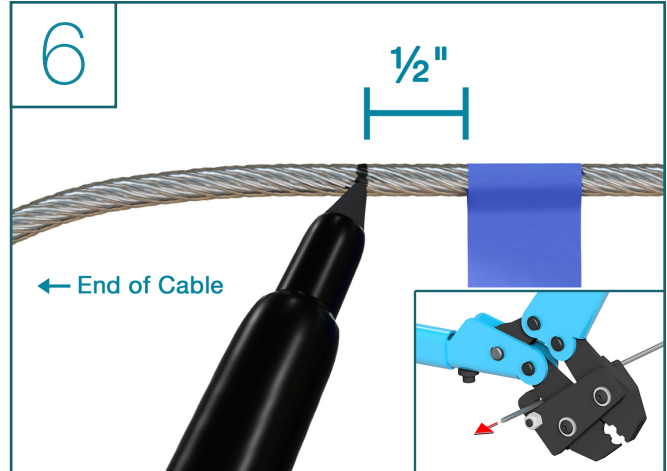
- Thread a Tension Receiver onto the Threaded Crimp fitting four full turns
- Pull the cable back against the post so the Tension Receiver is pulled into the post

- Return to the other end of the run where the Level Tension Kit will be installed nearest the spool, and pull the cable tight for the full run
- Place painter's tape on the cable where the cable meets the inside edge of the post

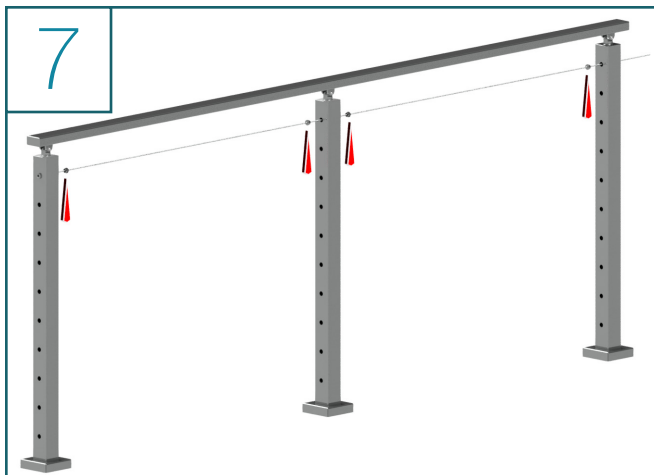
Cable Railing Installation Steps - Level Tension Kit to Level Tension Kit



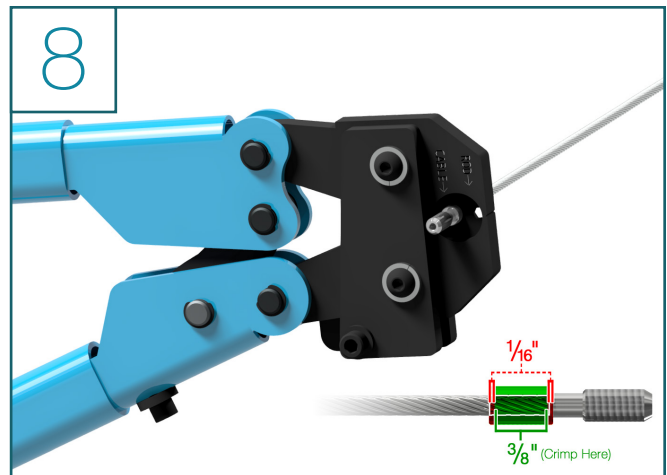
- Use the side cutting tool located below the main crimping head to cut your cable
- Slide the cable through the cable cutter and cut the cable 3" - 4" extra past the outside edge of the post



- Remove the cable from the post
- Add and mark 1/2" past the painter's tape
- Cut the cable on this mark

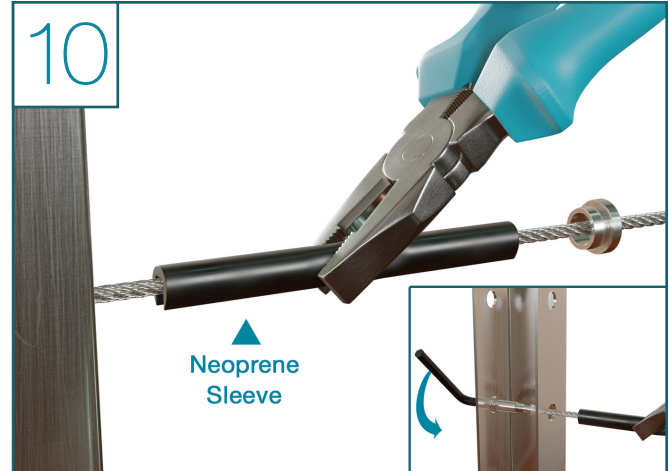
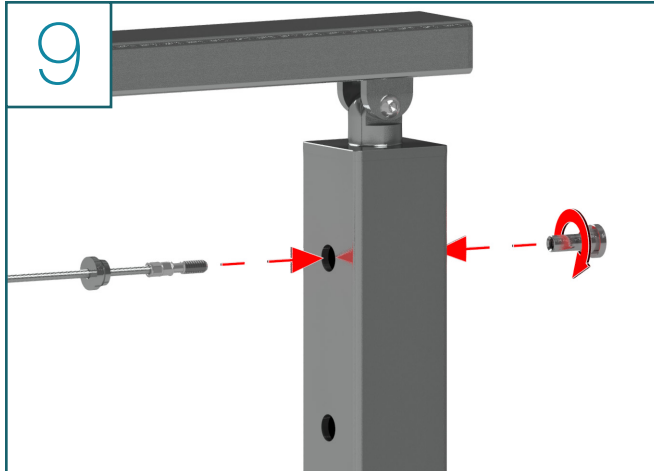


- Before continuing, confirm that all your needed sleeves are in place on the cable run
- This will be the last time you will be able to add sleeves on the cable



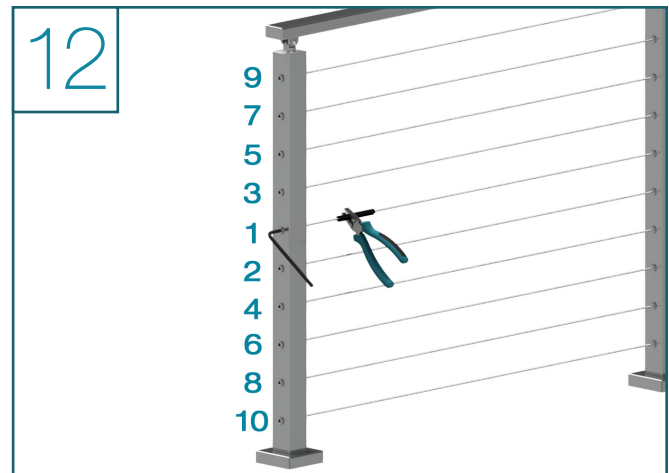
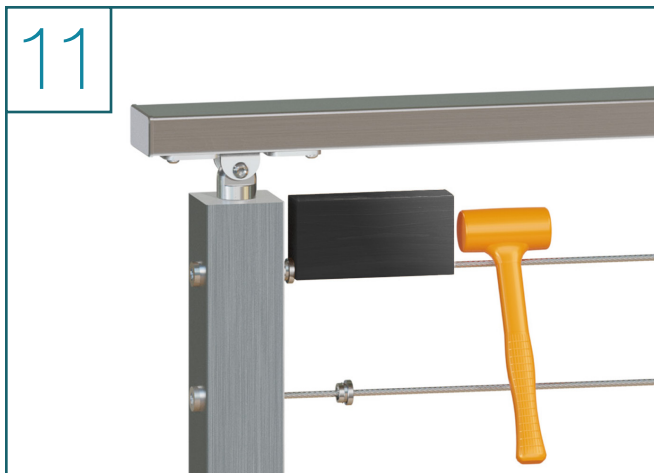
- Crimp a Threaded Crimp fitting onto the second end of the cable
- Crimp the Threaded Crimp Fitting then turn it 90° and crimp it again

Cable Railing Installation Steps - Level Tension Kit to Level Tension Kit



- Insert the Threaded Crimp Fitting into the 1/2" hole on the inside face of the post
- Then, insert the Tension Receiver into the 1/2" hole on the outside face of the post
- Meet both in the middle of the post and thread the Tension Receiver onto the Crimp Fitting four full turns

- Slide the protective Neoprene Sleeve onto the cable near the post you are working on
- Firmly grasp the sleeve with pliers and use the supplied 5/32" Allen wrench to tighten the Tension Receiver only snug enough to hold in place



- Use dead blow hammer and the provided Driver Block to set the Steel Insert Sleeves into each 1/2" hole
- A very firm hit is needed
- Do this for every sleeve on the run

- After all the cable runs are done and the Insert Sleeves are placed, use the Allen wrench to tighten the remaining side of the cable run in sequence
- Holding the cable with the pliers & neoprene sleeve, tighten until the cable is taut and then turn the Tension Receiver another half turn

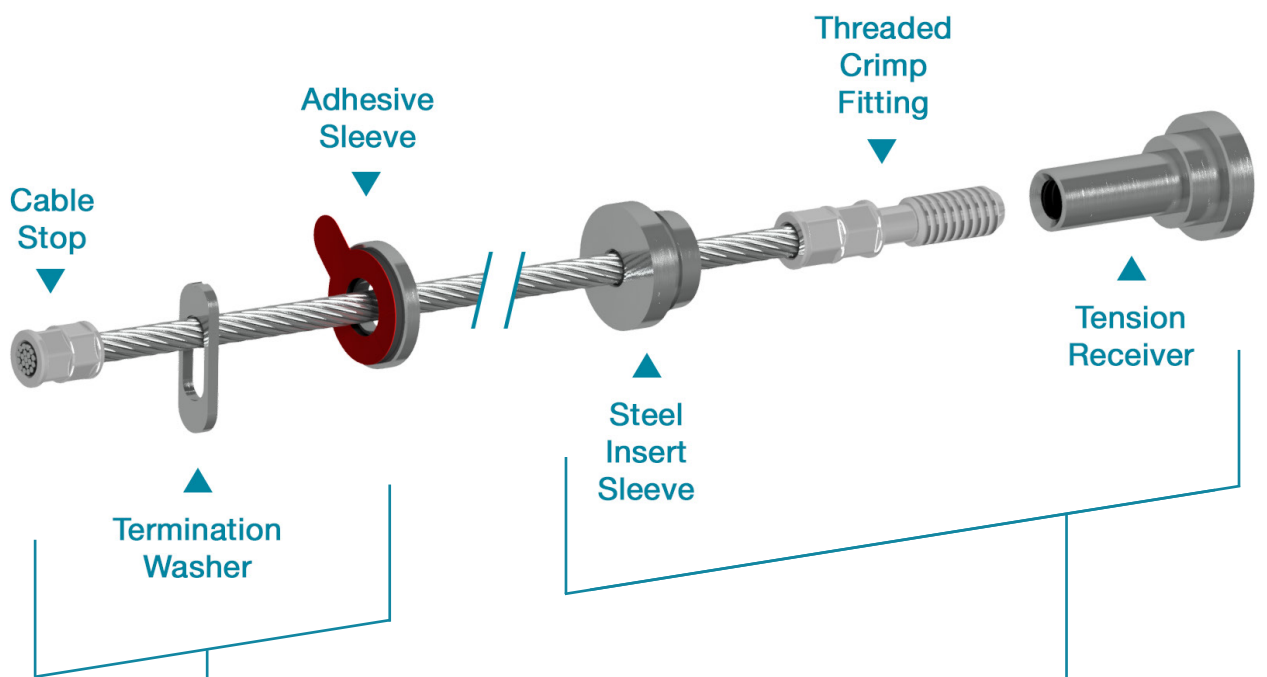
****Before tensioning any cable infill, please ensure all posts and handrail are fully installed***

Congratulations! You're done with this section.

We'd love to see your work! Snap a few pics with your phone and send them to pictures@viewrail.com. Thanks for choosing Viewrail. Enjoy your new installation!

Cable Railing Installation Guide

Inside Post Mount Kit to Level Tension Kit



Inside Post Mount

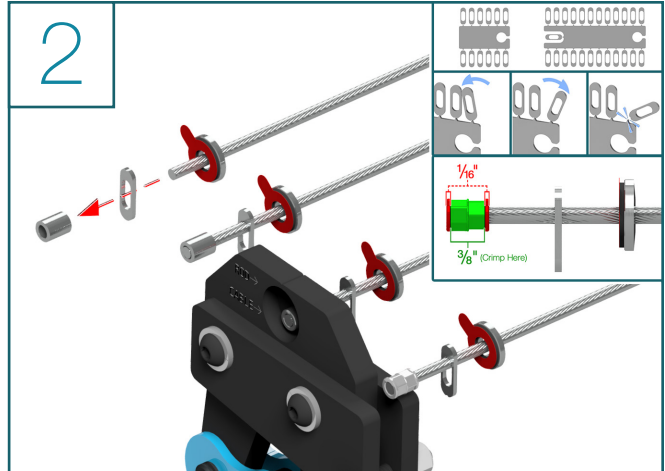
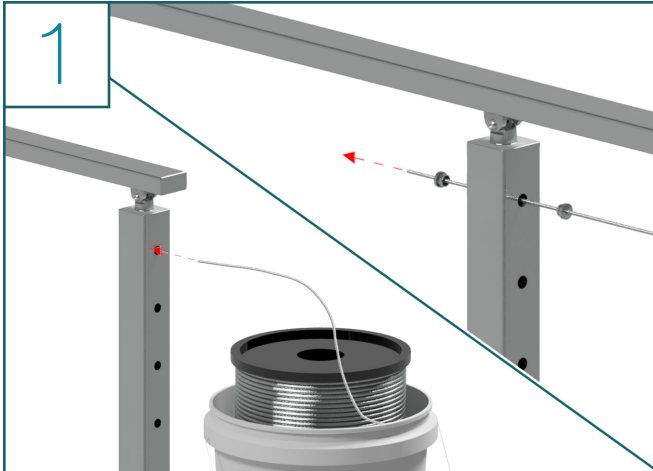
<https://www.youtube.com/watch?v=a8u8Nb-HLhc>



Level Tension Receiver

<https://www.youtube.com/watch?v=4JukKiLef2M>

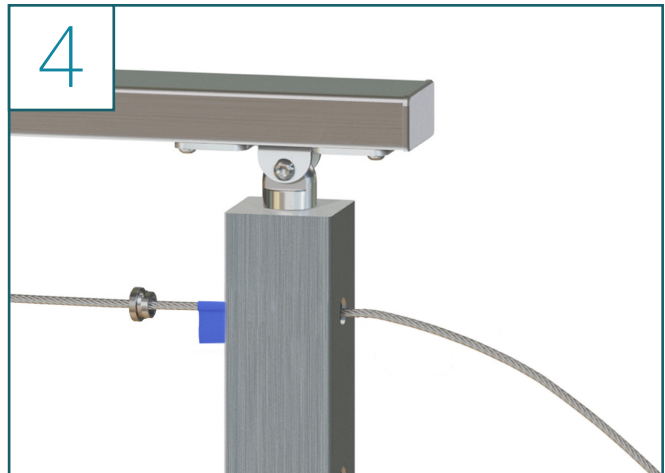
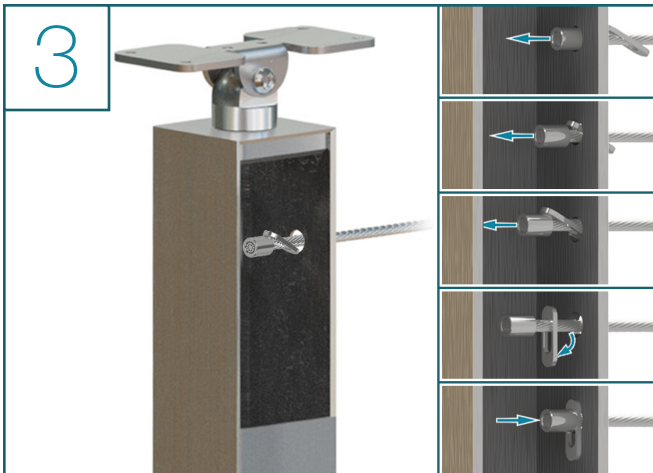
Cable Railing Installation Steps - Inside Post Mount Kit to Level Tension Kit



- Take the loose end of your cable spool & slide the cable through the post that will receive the Level Tension Kit
- Pass the cable all the way down the run, through any intermediate posts, until it meets the $\frac{5}{16}$ " hole
- As you are running the cable through the posts, place the metal sleeves on the cable facing the each post hole
- Steel Insert Sleeves will get tapped into the $\frac{1}{2}$ " holes on level runs
- Adhesive Sleeves will adhere to $\frac{5}{16}$ " holes on "C", "R", or "F" end posts
- "A-5" intermediate posts will not receive any sleeves

- Slide the loose end of the cable through the Adhesive Sleeve, then the Termination Washer, and into the Cable Stop
- Crimp the Cable Stop on to the end of the cable, then turn it 90° and crimp it again

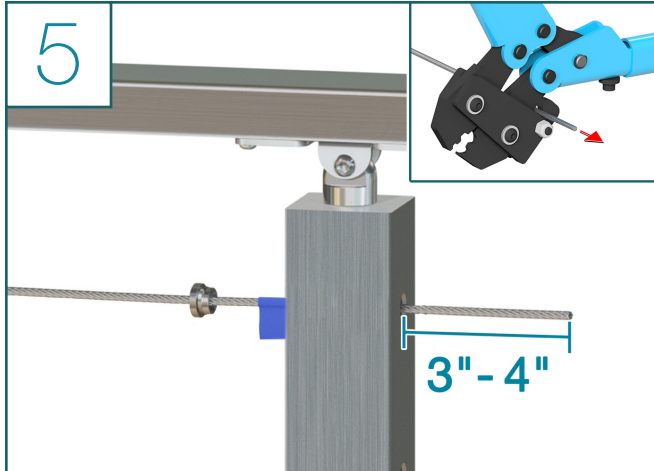
Note: In order to free a Termination washer from the metal frame they come on, you must bend one back and forth a couple times and it will break free



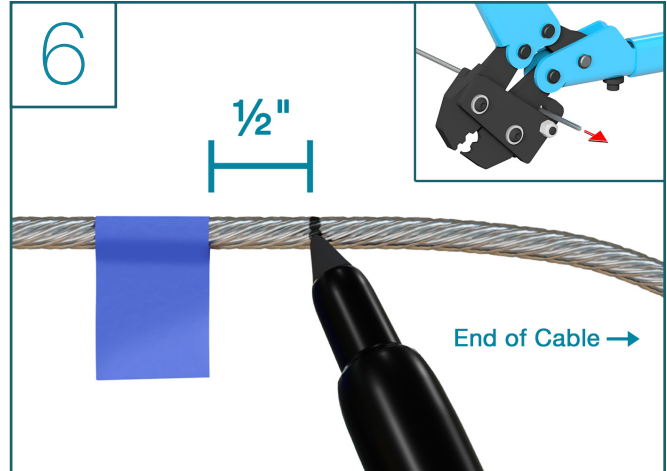
- Insert the Cable Stop into the $\frac{5}{16}$ " hole
- Then turn the Termination Washer (shown above) and slide it into the $\frac{5}{16}$ " hole as well
- Pull the cable back and the Cable Stop and Termination Washer will lock against the inside of the post

- Return to the other end of the run where the Level Tension Kit will be installed nearest the spool, and pull the cable tight for the full run
- Place painter's tape on the cable where the cable meets the inside edge of the post

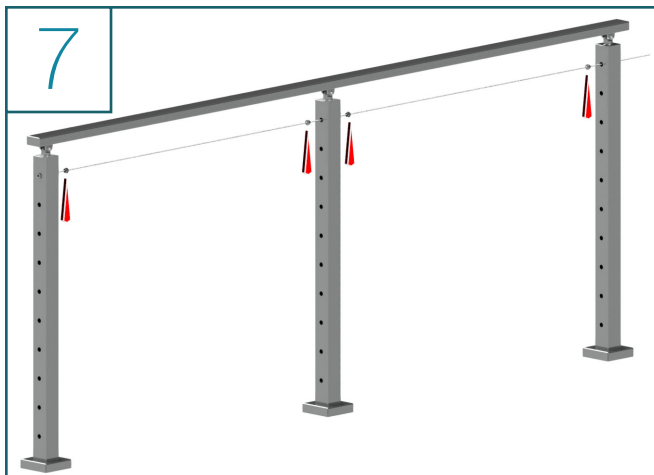
Cable Railing Installation Steps - Inside Post Mount Kit to Level Tension Kit



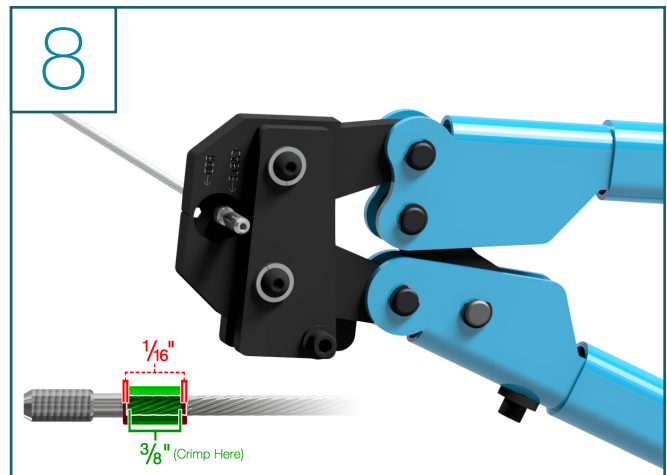
- Use the side cutting tool located below the main crimping head to cut your cable
- Slide the cable through the cable cutter and cut the cable 3" - 4" extra past the outside edge of the post



- Remove the cable from the post
- Add and mark $\frac{1}{2}$ " past the painter's tape
- Cut the cable on this mark

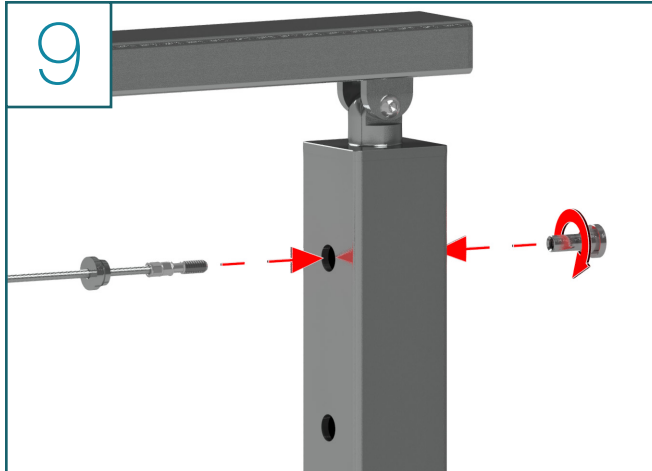


- Before continuing, confirm that all your needed sleeves are in place on the cable run
- This will be the last time you will be able to add sleeves on the cable

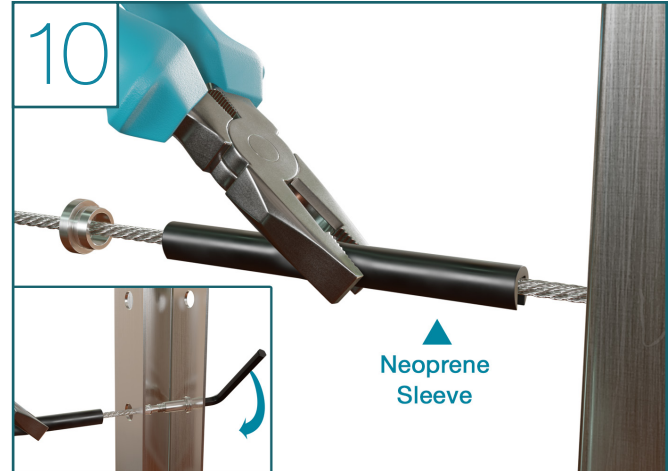


- Crimp a Threaded Crimp fitting onto the second end of the cable
- Crimp the Threaded Crimp Fitting then turn it 90° and crimp it again

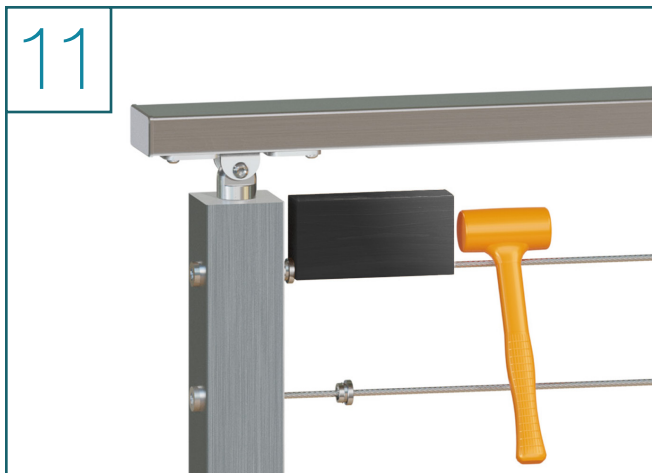
Cable Railing Installation Steps - Inside Post Mount Kit to Level Tension Kit



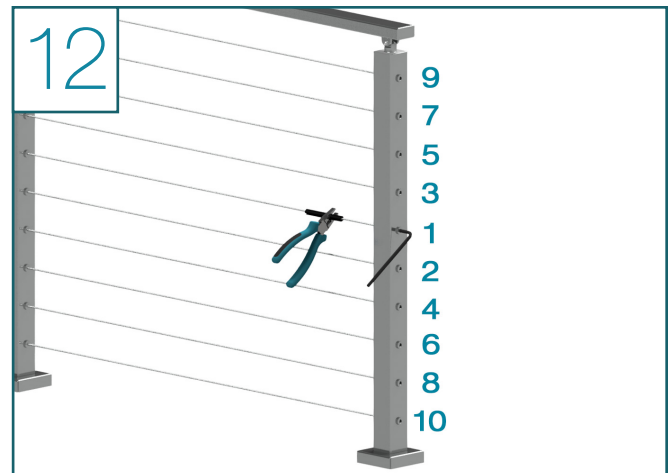
- Insert the Threaded Crimp Fitting into the 1/2" hole on the inside face of the post
- Then, insert the Tension Receiver into the 1/2" hole on the outside face of the post
- Meet both in the middle of the post and thread the Tension Receiver onto the Crimp Fitting four full turns



- Slide the protective Neoprene Sleeve onto the cable near the post you are working on
- Firmly grasp the sleeve with pliers and use the supplied 5/32" Allen wrench to tighten the Tension Receiver only snug enough to hold in place



- Use dead blow hammer and the provided Driver Block to set the Steel Insert Sleeves into each 1/2" hole
- A very firm hit is needed
- Do this for every sleeve on the run



- After all the cable runs are done and the Insert Sleeves are placed, use the Allen wrench to tighten the Level Tension Kit side of the cable run in sequence
- Holding the cable with the pliers & neoprene sleeve, tighten until the cable is taut and then turn the Tension Receiver another half turn

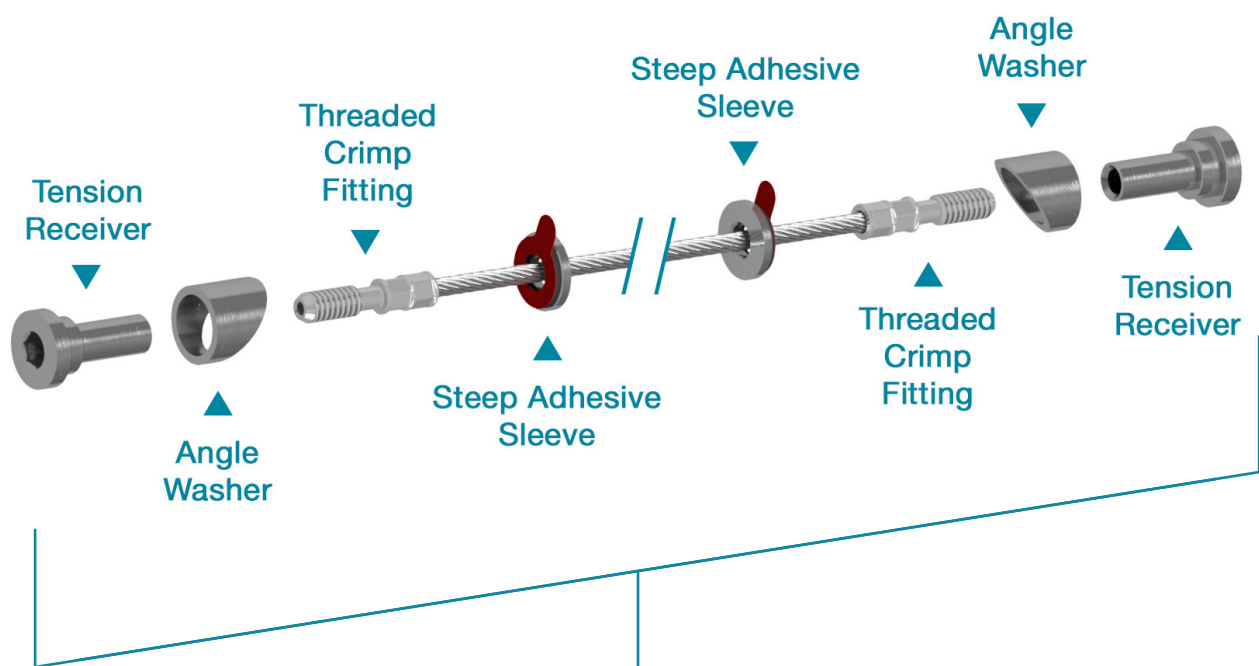
****Before tensioning any cable infill, please ensure all posts and handrail are fully installed***

Congratulations! You're done with this section.

We'd love to see your work! Snap a few pics with your phone and send them to pictures@viewrail.com. Thanks for choosing Viewrail. Enjoy your new installation!

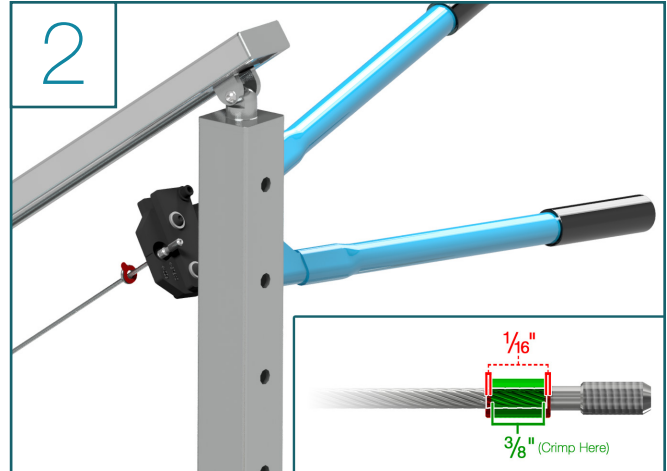
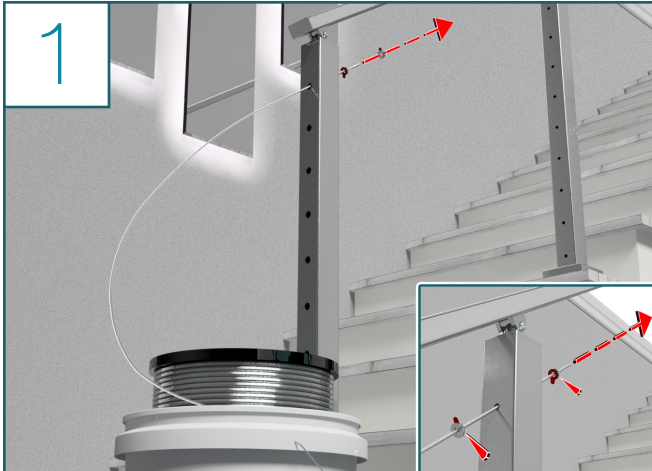
Cable Railing Installation Guide

Angle Tension Kit to Angle Tension Kit



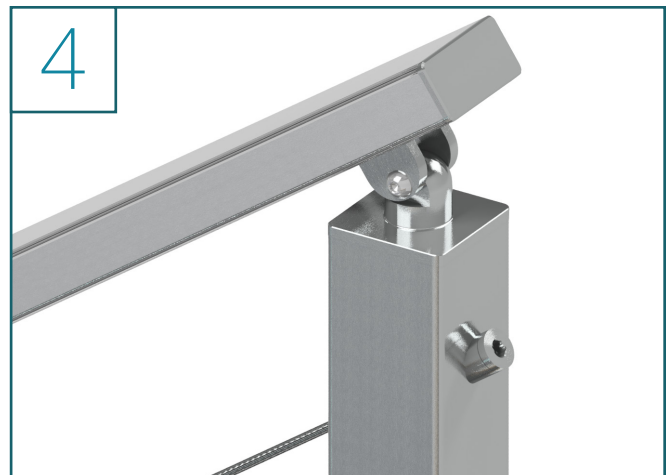
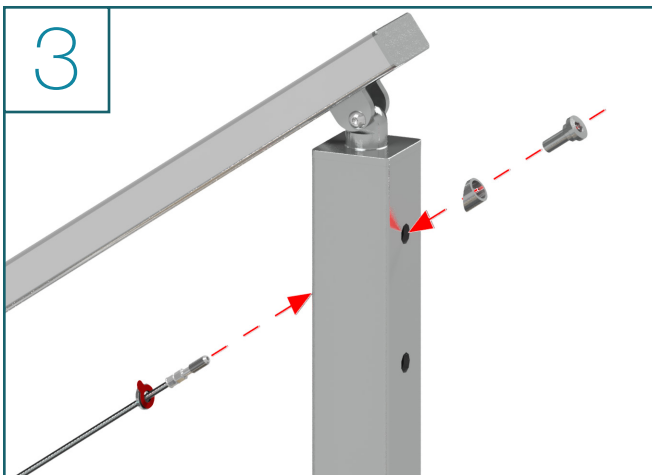
Angle Tension Receiver
<https://www.youtube.com/watch?v=ydRJMAiYAAQ>

Cable Railing Installation Steps - Angle Tension Kit to Angle Tension Kit



- Take the loose end of your cable spool and slide the cable through the posts on the run you are working on
- It is typically easiest to run the cable up through the bottom post towards the top post
- As you are running the cable through the posts, place the metal sleeves on the cable facing the post hole to which they will attach
- Steep Adhesive sleeves will attach to each 5/16" hole on an angled run

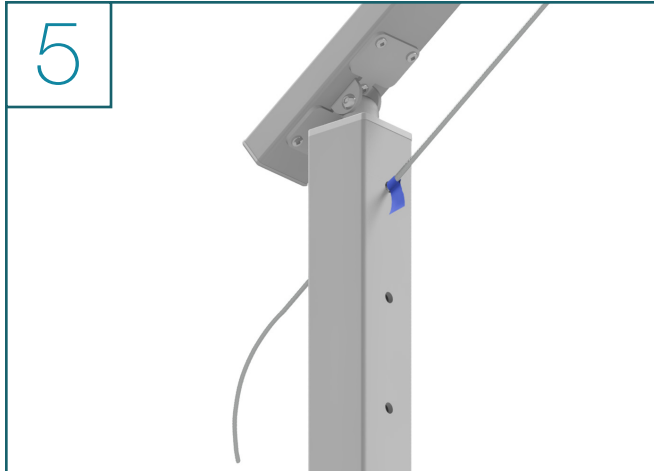
- Once the cable passes through the final post on the run, crimp a Threaded Crimp Fitting onto the end of the cable
- Crimp the Threaded Crimp Fitting then turn it 90° and crimp it again



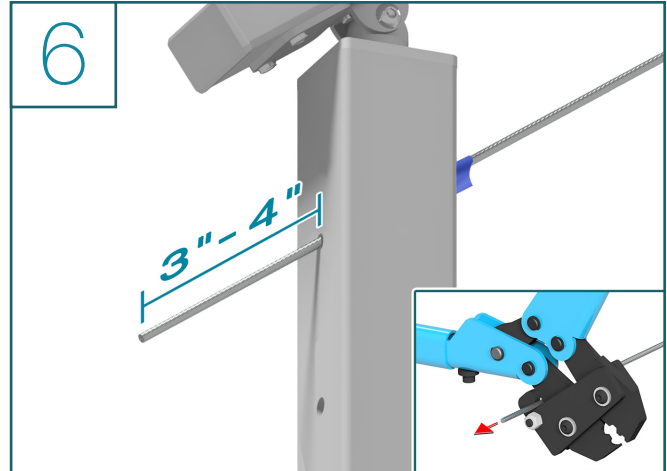
- Slide an Angle Washer over the Threaded Crimp Fitting
- Thread a Tension Receiver onto the Threaded Crimp fitting four full turns

- Pull the cable back against the post so the Tension Receiver is pulled into the Angle Washer
- Ensure the Angle washer rests flush against the side of the post

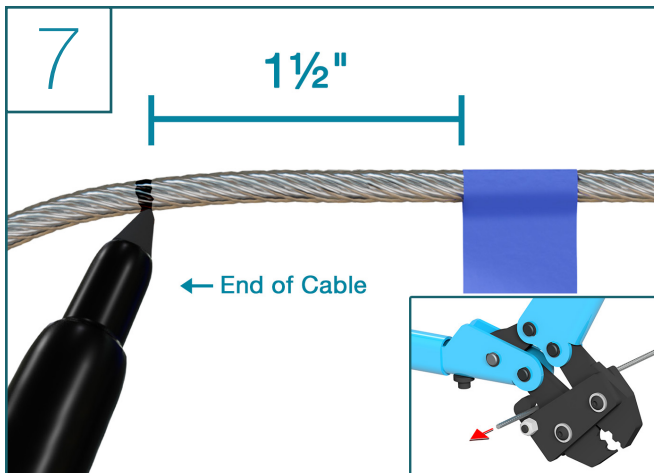
Cable Railing Installation Steps - Angle Tension Kit to Angle Tension Kit



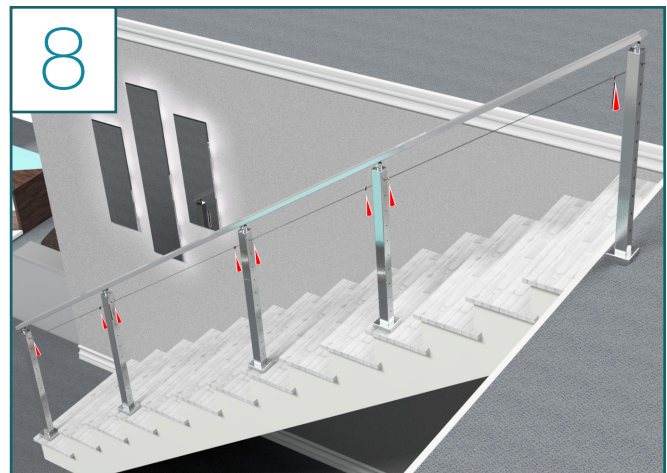
- Return to the other end of the run where the Angle Tension Kit will be installed nearest the spool, and pull the cable tight for the full run
- Place painter's tape on the cable where the cable meets the inside edge of the post



- Use the side cutting tool located below the main crimping head to cut your cable
- Slide the cable through the cable cutter and cut the cable 3" - 4" extra past the outside edge of the post

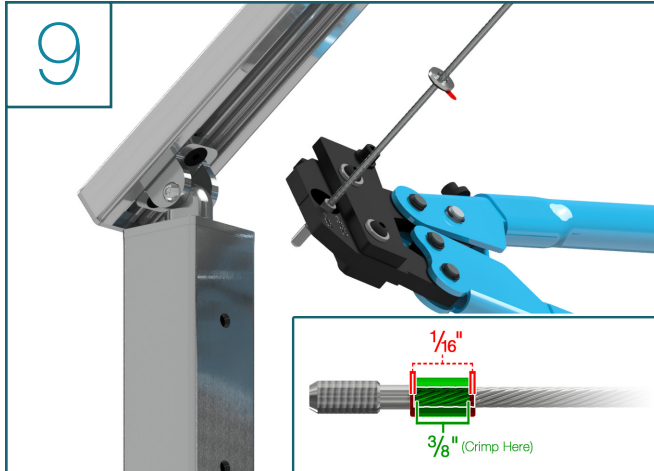


- Remove the cable from the post
- Add and mark 1 1/2" past the painter's tape
- Cut the cable on this mark

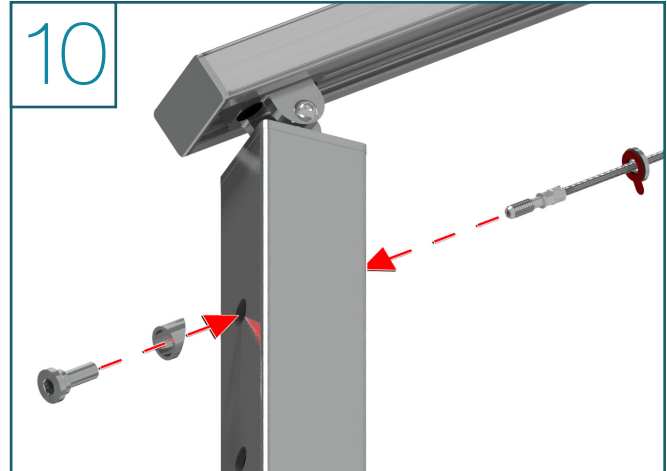


- Before continuing, confirm that all your needed sleeves are in place on the cable run
- This will be the last time you will be able to add sleeves on the cable

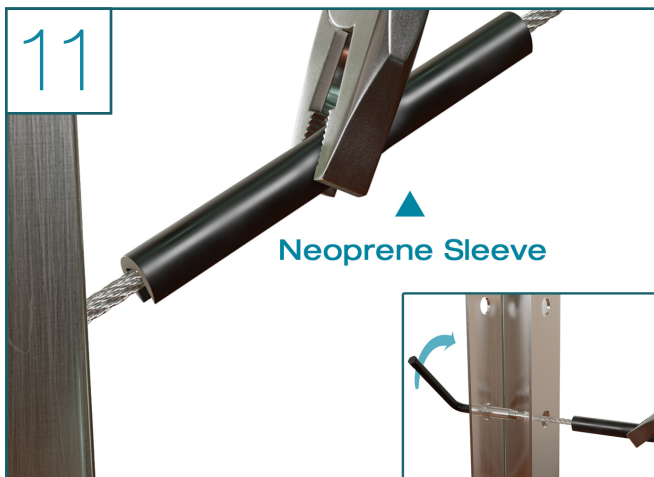
Cable Railing Installation Steps - Angle Tension Kit to Angle Tension Kit



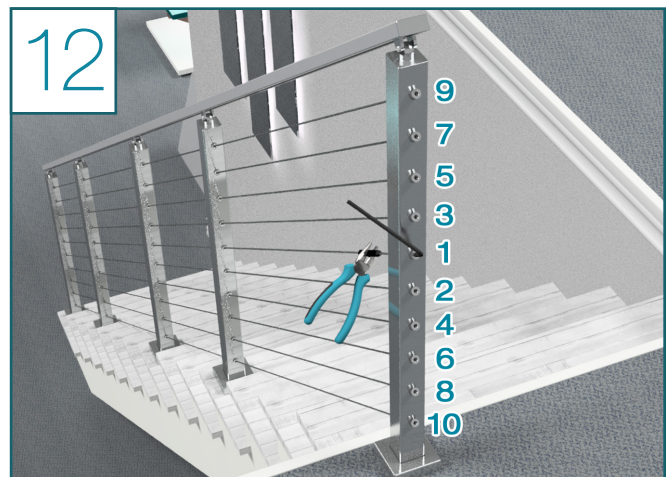
- Crimp a Threaded Crimp fitting onto the second end of the cable
- Crimp the Threaded Crimp Fitting then turn it 90° and crimp it again



- Insert the Threaded Crimp Fitting into the $\frac{5}{16}$ " hole on the inside face of the post
- Then, insert the Tension Receiver through the Angle Washer and then into the $\frac{1}{2}$ " hole on the outside face of the post
- Meet both in the middle of the post and thread the Tension Receiver onto the Crimp Fitting four full turns



- Slide the protective Neoprene Sleeve onto the cable near the post you are working on
- Firmly grasp the sleeve with pliers and use the supplied $\frac{5}{32}$ " Allen wrench to tighten the Tension Receiver only snug enough to hold in place



- Remove the plastic cover on the Adhesive Sleeves and firmly press the sleeve against the $\frac{5}{16}$ " holes on the run
- After all the cable runs are done and the Adhesive Sleeves are placed, use the Allen wrench to tighten the remaining side of the cable run in sequence
- Holding the cable with the pliers & neoprene sleeve, tighten until the cable is taut and then turn the Tension Receiver another half turn

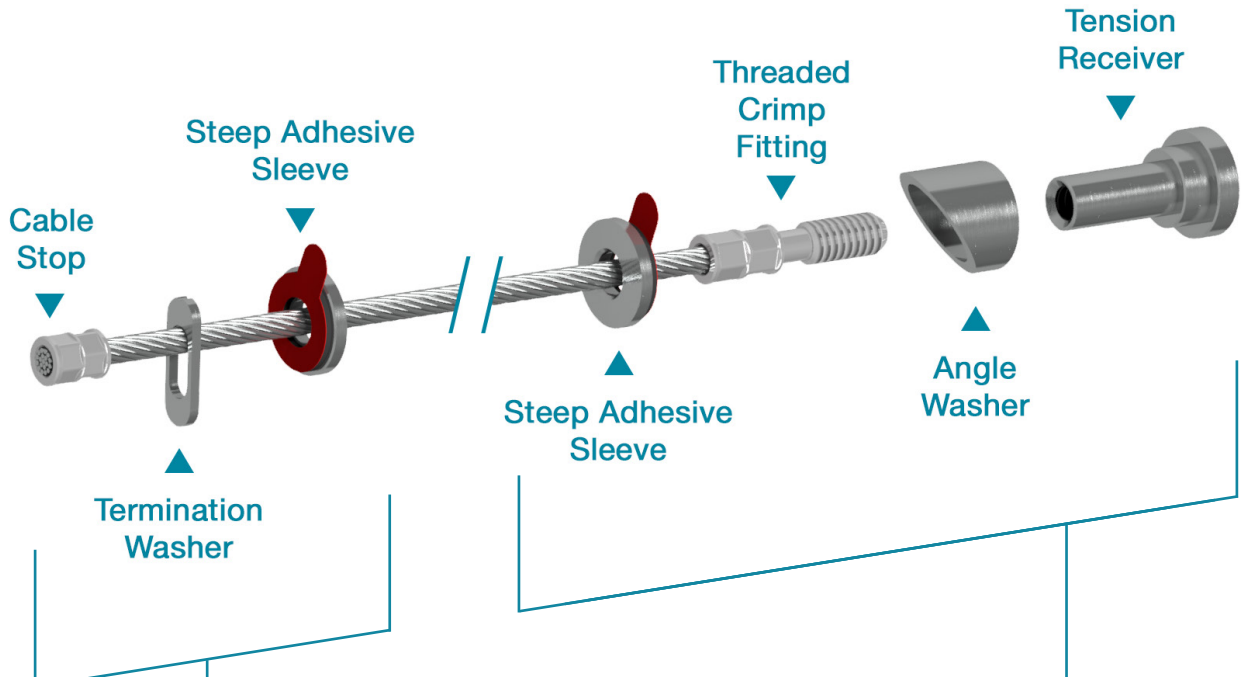
****Before tensioning any cable infill, please ensure all posts and handrail are fully installed***

Congratulations! You're done with this section.

We'd love to see your work! Snap a few pics with your phone and send them to pictures@viewrail.com. Thanks for choosing Viewrail. Enjoy your new installation!

Cable Railing Installation Guide

Inside Post Mount Kit to Angle Tension Kit



Inside Post Mount

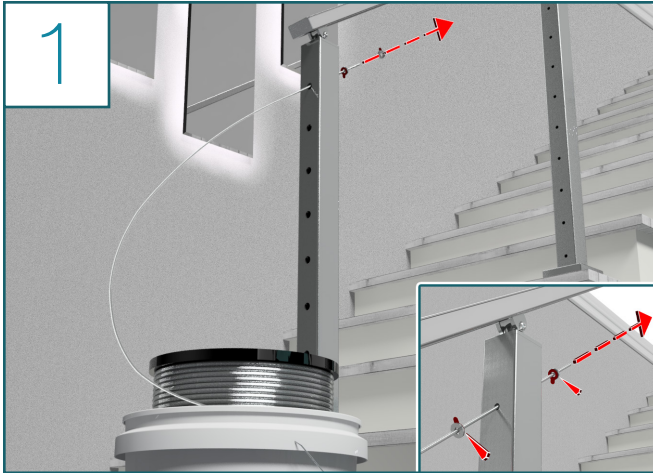
<https://www.youtube.com/watch?v=a8u8Nb-HLhc>



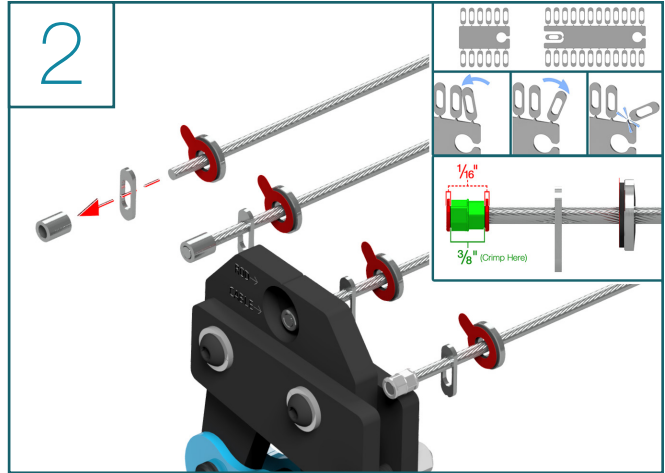
Angle Tension Receiver

<https://www.youtube.com/watch?v=ydRJMaiYQAQ>

Cable Railing Installation Steps - Inside Post Mount Kit to Angle Tension Kit

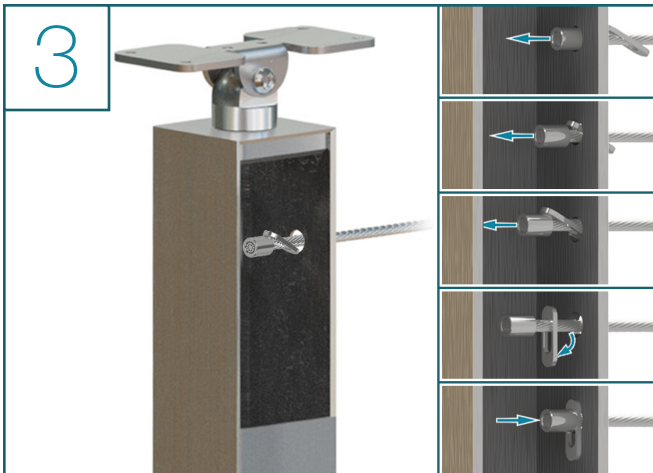


- Take the loose end of your cable spool and slide the cable through the posts on the run you are working on
- It is typically easiest to run the cable up through the bottom post towards the top post
- As you are running the cable through the posts, place the metal sleeves on the cable facing the post hole to which they will attach
- Steep Adhesive Sleeves will attach to each $\frac{5}{16}$ " hole on an angled run

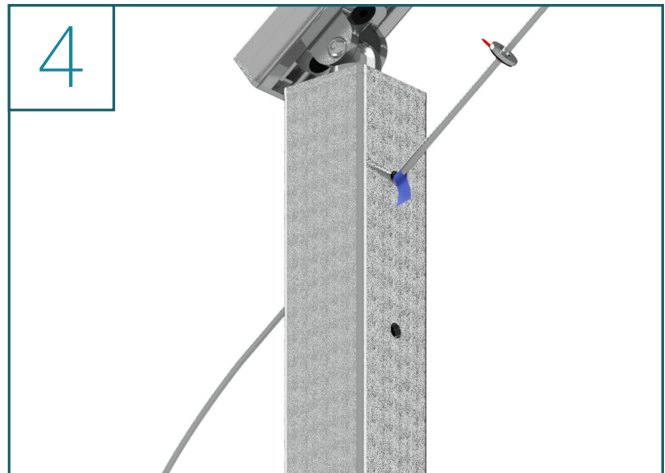


- Slide the loose end of the cable through the Adhesive Sleeve, then the Termination Washer, and into the Cable Stop
- Crimp the Cable Stop on to the end of the cable, then turn it 90° and crimp it again

Note: In order to free a Termination washer from the metal frame they come on, you must bend one back and forth a couple times and it will break free

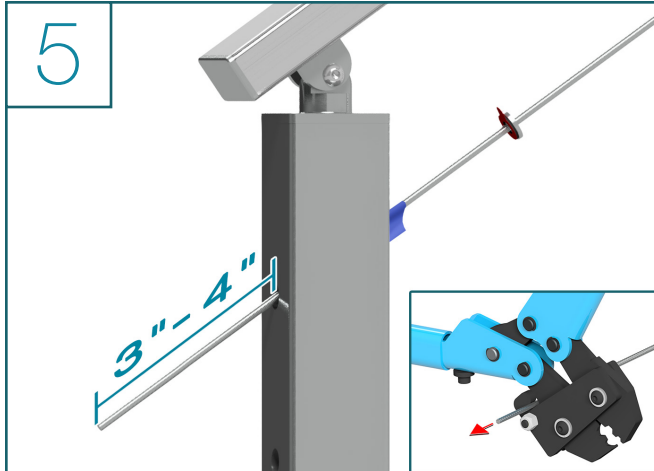


- Insert the Cable Stop into the $\frac{5}{16}$ " hole
- Then turn the Termination Washer (shown above) and slide it into the $\frac{5}{16}$ " hole as well
- Pull the cable back and the Cable Stop and Termination Washer will lock against the inside of the post

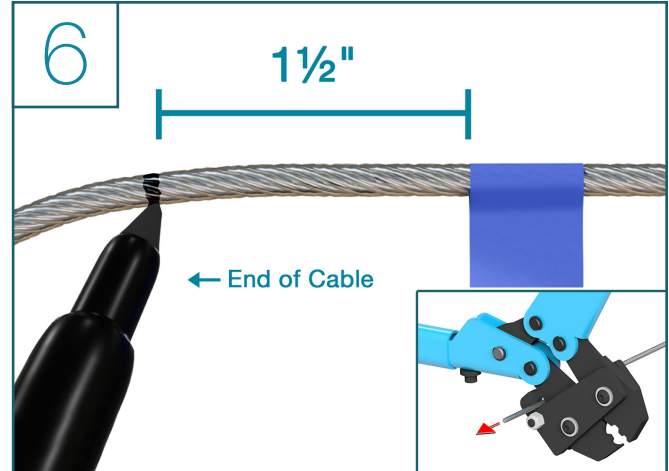


- Return to the other end of the run where the Angle Tension Kit will be installed nearest the spool, and pull the cable tight for the full run
- Place painter's tape on the cable where the cable meets the inside edge of the post

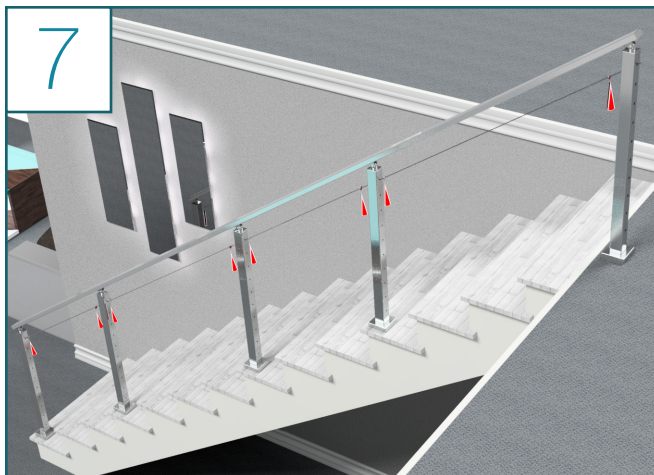
Cable Railing Installation Steps - Inside Post Mount Kit to Angle Tension Kit



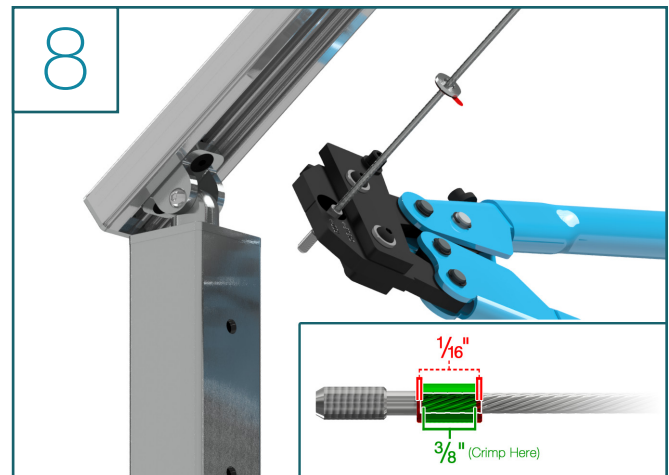
- Use the side cutting tool located below the main crimping head to cut your cable
- Slide the cable through the cable cutter and cut the cable 3" - 4" extra past the outside edge of the post



- Remove the cable from the post
- Add and mark 1 1/2" past the painter's tape
- Cut the cable on this mark

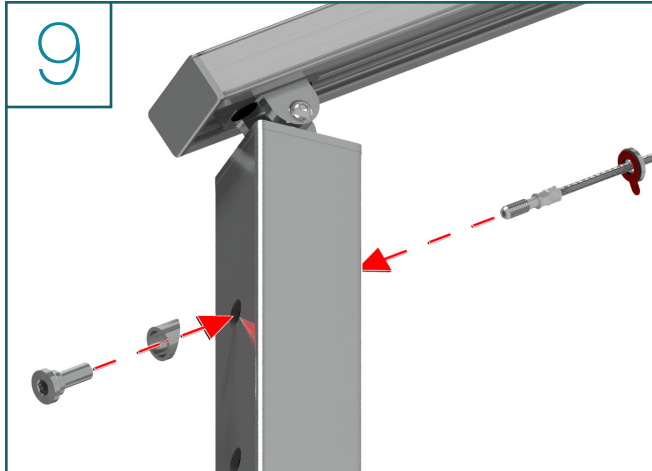


- Before continuing, confirm that all your needed sleeves are in place on the cable run
- This will be the last time you will be able to add sleeves on the cable.



- Crimp a Threaded Crimp fitting onto the second end of the cable
- Crimp the Threaded Crimp Fitting then turn it 90° and crimp it again

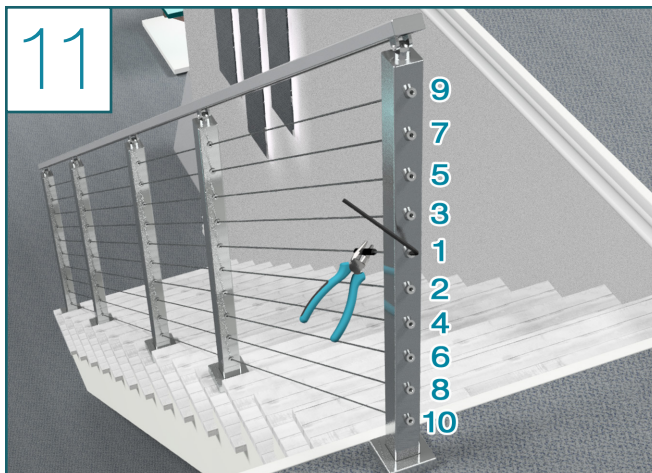
Cable Railing Installation Steps - Inside Post Mount Kit to Angle Tension Kit



- Insert the Threaded Crimp Fitting into the $\frac{5}{16}$ " hole on the inside face of the post
- Then, insert the Tension Receiver into the $\frac{1}{2}$ " hole on the outside face of the post
- Meet both in the middle of the post and thread the Tension Receiver onto the Crimp Fitting four full turns



- Slide the protective Neoprene Sleeve onto the cable near the post you are working on
- Firmly grasp the sleeve with pliers and use the supplied $\frac{5}{32}$ " Allen wrench to tighten the Tension Receiver only snug enough to hold in place



- Remove the plastic cover on the Adhesive Sleeve and firmly press the sleeve against the $\frac{5}{16}$ " holes on the run
- After all the cable runs are done and the Adhesive Sleeves are placed, use the Allen wrench to tighten the remaining side of the cable run in sequence
- Holding the cable with the pliers & neoprene sleeve, tighten until the cable is taut and then turn the Tension Receiver another half turn

****Before tensioning any cable infill, please ensure all posts and handrail are fully installed***

Congratulations! You're done with this section.

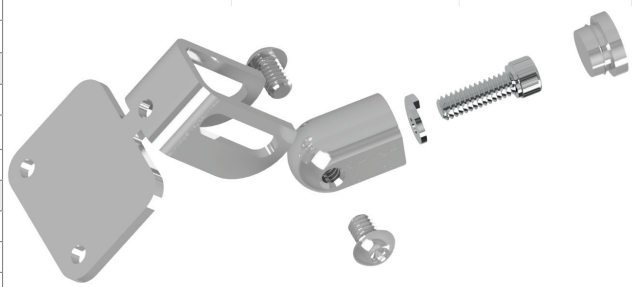
We'd love to see your work! Snap a few pics with your phone and send them to pictures@viewrail.com. Thanks for choosing Viewrail. Enjoy your new installation!

Cable Post Hardware Identification & Quantities Chart

Look for this sticker on hardware bags



A Post						
	Threaded Crimps	Tension Receivers	Insert Sleeves			
36"	Qty 10	Qty 10	Qty 10	-		
39"	Qty 11	Qty 11	Qty 11	-		
42"	Qty 12	Qty 12	Qty 12	-		
A-2 Post						
	Insert Sleeves					
36"	Qty 20	-	-	-		
39"	Qty 22	-	-	-		
42"	Qty 24	-	-	-		
A-5 Post						
No Hardware Needed						
All Post Heights	-	-	-	-		
B Down Post						
	Threaded Crimps	Tension Receivers	Angle Washers	Steep Adhesive Sleeve		
36"	Qty 10	Qty 10	Qty 10	Qty 10		
39"	Qty 11	Qty 11	Qty 11	Qty 11		
42"	Qty 12	Qty 12	Qty 12	Qty 12		
B Up Post						
	Threaded Crimps	Tension Receivers	Angle Washers	Steep Adhesive Sleeve		
36"	Qty 10	Qty 10	Qty 10	Qty 10		
39"	Qty 11	Qty 11	Qty 11	Qty 11		
42"	Qty 12	Qty 12	Qty 12	Qty 12		
B-5						
Steep Adhesive Sleeves						
36"	Qty 20	-	-	-		
39"	Qty 22	-	-	-		
42"	Qty 24	-	-	-		
C Post						
	Threaded Crimps	Tension Receivers	Insert Sleeves	Termination Washers	Adhesive Sleeves	Cable Stops
36"	Qty 10	Qty 10	Qty 10	Qty 10	Qty 10	Qty 10
39"	Qty 11	Qty 11	Qty 11	Qty 11	Qty 11	Qty 11
42"	Qty 12	Qty 12	Qty 12	Qty 12	Qty 12	Qty 12
D Post						
	Post-Side Handrail Bracket	Threaded Crimps	Tension Receivers	Insert Sleeves	Steep Adhesive Sleeves	Angle Washers
36"	Qty 1	Qty 20	Qty 20	Qty 10	Qty 10	Qty 10
39"	Qty 1	Qty 22	Qty 22	Qty 11	Qty 11	Qty 11
42"	Qty 1	Qty 24	Qty 24	Qty 12	Qty 12	Qty 12
G Post						
	Post-Side Handrail Bracket	Adhesive Sleeves	Steep Adhesive Sleeve			
36"	Qty 1	Qty 10	Qty 10	-	-	-
39"	Qty 1	Qty 11	Qty 10-11*	-	-	-
42"	Qty 1	Qty 12	Qty 10-12*	-	-	-
H Post						
	Post-Side Handrail Bracket	Adhesive Sleeves	Cable Stops	Termination Washers	Steep Adhesive Sleeves	
39"	Qty 1	Qty 11	Qty 1	Qty 1	Qty 10-11*	-
42"	Qty 1	Qty 12	Qty 2	Qty 2	Qty 10-12*	-
I Post						
	Post-Side Handrail Bracket	Threaded Crimps	Tension Receivers	Steel Insert Sleeves	Steep Adhesive Sleeves	Angle Washers
39"	Qty 1	Qty 21	Qty 21	Qty 11	Qty 10-11*	Qty 10
42"	Qty 1	Qty 22	Qty 22	Qty 12	Qty 10-12*	Qty 10
J Down Post						
	Termination Washers	Cable Stops	Steep Adhesive Sleeves			
36"	Qty 10	Qty 10	Qty 10			
39"	Qty 11	Qty 11	Qty 11			
42"	Qty 12	Qty 12	Qty 12			
J Up Post						
	Termination Washers	Cable Stops	Steep Adhesive Sleeves			
36"	Qty 10	Qty 10	Qty 10			
39"	Qty 11	Qty 11	Qty 11			
42"	Qty 12	Qty 12	Qty 12			
R Post						
	Termination Washers	Cable Stops	Adhesive Sleeves			
36"	Qty 10	Qty 10	Qty 10			
39"	Qty 11	Qty 11	Qty 11			
42"	Qty 12	Qty 12	Qty 12			
S Post						
No Hardware Needed						
All Post Heights	-	-	-			



Post-Side Handrail Bracket

Images shown here are not to scale / Not all orders will have all hardware shown